

DS-2CE56D5T-AVPIR3Z(H) HD1080P WDR Motorized VF Vandal Proof IR Dome Camera



Key Features

- 2 Megapixel high-performance CMOS
- Analog HD output, up to 1080P resolution
- 2.8 – 12mm motorized vari-focal lens
- True Day/Night
- OSD menu, 3D DNR, Smart IR
- True WDR, up to 120dB
- Up to 40m IR distance
- Built-in heater(-H)
- IP66 weatherproof & vandal proof
- Up the Coax(HIKVISION-C, Pelco-C protocol)
- 24V AC/ 12V DC
-



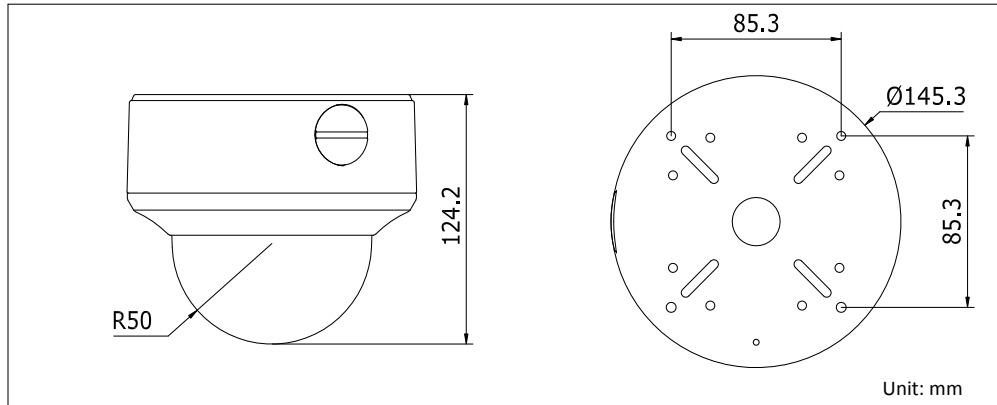
Specifications

Camera	
Image Sensor	2MP CMOS Image Sensor
Signal System	PAL/NTSC
Effective Pixels	1944(H)*1092(V)
Min. illumination	0.01 Lux @ (F1.2,AGC ON),0 Lux with IR; 0.014 Lux @ (F1.4,AGC ON),0 Lux with IR
Shutter Time	1/25(1/30)s to 1/50,000s
Lens	Motorized VF lens; 2.8 - 12 mm @ F1.4
	Angle of view: 103° - 32.1°
Lens Mount	φ14
Day & Night	ICR
Angle Adjustment	Pan: 0 - 355°, Tilt: 0 - 75°, Rotation: 0 - 355°
Synchronization	Internal synchronization
WDR	120dB
Video Frame Rate	1080p@25fps/1080p@30fps
HD Video Output	1 Analog HD output
CVBS Output	1Vp-p Composite Output(75Ω/BNC)
S/N Ratio	> 62dB
Menu	
Scene	Indoor, Outdoor, Indoor1, LOW-LIGHT
Camera ID	On/off (15 characters, position programmable)
AGC	Support
D/N Mode	Color/BW/EXT
White Balance	ATW, AWC-SET, Indoor, Outdoor, Manual
Privacy Mask	On/Off, maximum 8 zones
Motion Detection	On/Off, maximum 4 zones
BLC	Support
Anti-flicker	On/Off
Language	English, Japanese, CHN1, CHN2, Korean, German, French, Italian, Spanish, Polish, Russian, Portuguese, Dutch, Turkish, Hebrew and Arabic
Functions	HSBLC, Digital noise reduction, Digital zoom(62x), Slow shutter, Mirror, Defog, Defect pixel correction, SMART D-ZOOM
General	
Operating Conditions	-30 °C – 60 °C (-22 °F – 140 °F), Humidity 90% or less (non-condensing) -H:-40 °C - 60 °C (-40 °F - 140 °F), Humidity 90% or less (non-condensing)
Power Supply	12 VDC ± 15%, 24 VAC ± 15%, Heater is available with 24VAC only
Power Consumption	Max. 6W, -H: Max. 12W
Protection Level	IP66
IR Range	Up to 40m
Heater	Optional
Impact Protection	IK10
Communication	Up the coax, Protocol: Pelco-C(CVBS output), HIKVISION-C(TVI output)
Dimensions	Φ 145.3 × 124.2 mm (Φ 5.72" × 4.89")
Weight	1350 g

Order Models

DS-2CE56D5T-AVPIR3Z, DS-2CE56D5T-AVPIR3ZH

Dimensions



Accessories



DS-1273ZJ-130
Wall Mounting



DS-1275ZJ
Vertical Pole Mounting



DS-1271ZJ-130
Pendant Mounting



DS-1273ZJ-130B
Wall Mounting



DS-1249ZJ
In-ceiling Mounting



DS-1276ZJ
Corner Mounting



DS-1H18
Video Balun



X41T
Camera Tester

Distributed by



Headquarters

No.555 Qianmo Road, Binjiang District,
Hangzhou 310051, China
T +86-571-8807-5998
overseasbusiness@hikvision.com

Hikvision Poland

T +48-22-460-01-50
poland@hikvision.com

Hikvision USA

T +1-909-895-0400
sales.usa@hikvision.com

Hikvision India

T +91-22-28469900
sales@pramahikvision.com

Hikvision UK

T +44-1628-9021-4
support.uk@hikvision.com

Hikvision Europe

T +31-23-5542770
saleseuro@hikvision.com

Hikvision Italy

T +39-0438-6902
info.it@hikvision.com

Hikvision Singapore

T +65-6684-4718
sg@hikvision.com

Hikvision Middle East

T +971-4-8816086
salesme@hikvision.com

Hikvision France

T +33(0)1-85-330-444
info.fr@hikvision.com

Hikvision Oceania

T +61-2-8599-4233
salesau@hikvision.com

Hikvision Russia

T +7-495-669-67-99
saleru@hikvision.com

Hikvision Spain

T +34-91-737-16-55
info.es@hikvision.com

Hikvision Hong Kong

T +852-2151-1761